

FABRICATION SHEET

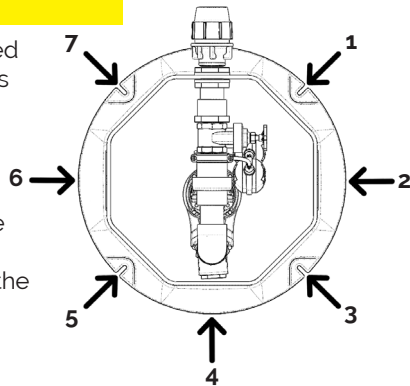
Delta Pluto Packaged Pumping Station



INLET POSITION

Inlets must be positioned centrally in the flat faces of the chambers as indicated.

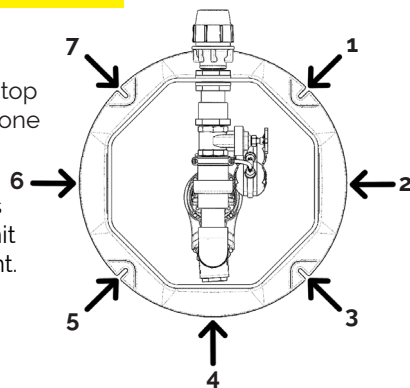
Please note: position 4 would be restricted due to the proximity of the pipework layout inside the chamber.



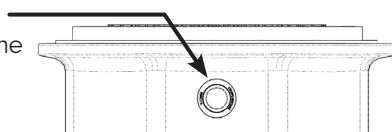
DUCT & VENT POSITION

Cable ducts and vents (if applicable) must be positioned towards the top of the tank centrally, in one of the flat faces.

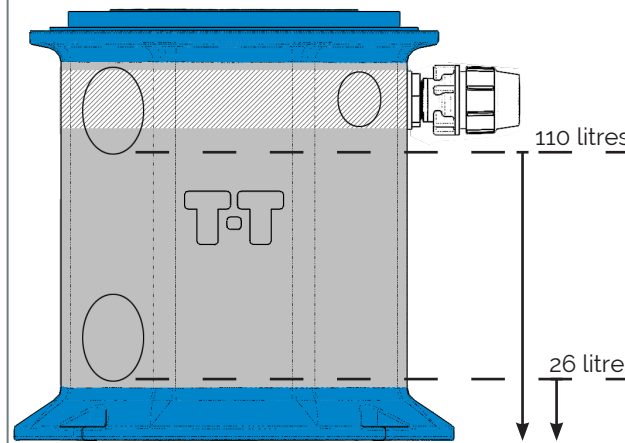
Please note: the access cover is not a sealed unit allowing the tank to vent.



Position the duct in the required face at the same level as the discharge point of the tank, as indicated.

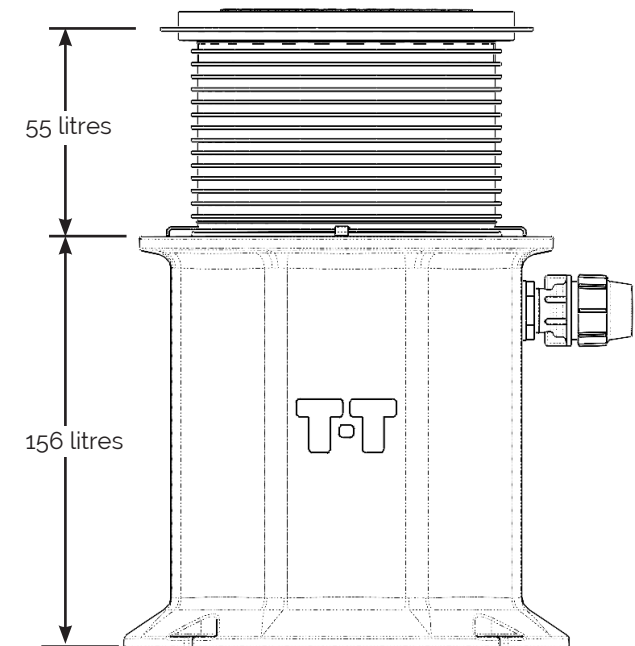


OPERATING LEVELS



The Pluto tank has an operating storage of 156 litres (full). Pipe inlets (Ø110mm) can be positioned at any vertical point, centralised, in the flat faces of the tank, with Ø50mm cable duct/vent level in hatched area.

STORAGE: PLUTO & TURRET



The turret of the Pluto tank provides a short term emergency storage volume of 55 litres. This volume is in addition to the 156 litres of operating storage in the tank. Total available short term storage of 211 litres.

DISCHARGE POSITION

The Pluto tank has a fixed 63mm MDPE discharge point.

KEY

INLET LOCATION
DRILLING ALLOWED

CABLE DUCT & VENT
RECOMMENDED LEVEL

NO DRILLING
ALLOWED

Please pay close attention to the areas highlighted in the key to assist with your install.